

Specification

EW620 I/O – Series

EW62T7641

EW62T7641 (Field Power Distribution 5Vdc, 24Vdc, 48Vdc, 110Vac, 220Vac, ID Type)

Specification

Table of Contents

Table of Contents	2
History	3
1.Environment Specification	4
2.EW62T7641(Field Power Distribution 24Vdc, ID Type).....	4
2.1.EW62T7641 Specification	4
2.2.EW62T7641 Wiring Diagram	6
2.3.EW62T7641 LED Indicator	7
2.3.1.LED Indicator	7
2.3.2.Status LED.....	7
2.4.Example	7

Specification

History

REV.	PAGES	REMARKS	DATE	Editor
Rev 1.00			Aug 22, 2016	HS KIM

Specification

1. Environment Specification

Environmental Specification	
Operation Temperature	-40°C ~ 70°C
UL Temperature	-20°C ~ 60°C
Non-Operating Temperature	-40°C ~ 85°C
Relative Humidity	5% ~ 90% Non-condensing
Mounting	DIN rail
General Specification	
Shock Operating	IEC 60068-2-27
Vibration Resistance	Based on IEC 60068-2-6 Sine Vibration - 5 ~ 25Hz : ±1.6mm - 25 ~ 300Hz : 4g - Sweep Rate : 1 Oct/min, 20 cycles Random Vibration - 10 ~ 40 Hz : 0.0125 g ² /Hz - 40 ~ 100 Hz : 0.0125 → 0.002 g ² /Hz - 100 ~ 500 Hz : 0.002 g ² /Hz - 500 ~ 2000 Hz : 0.002 → 1.3 x 10 ⁻⁴ g ² /Hz - Test time : 1hrs for each test
Industrial Emissions	EN61000-6-4/All : 2011
Industrial Immunity	EN 61000-6-2 : 2005
Installation Position	Vertical and horizontal installation is available
Product Certifications	CE, UL

2. EW62T7641(Field Power Distribution 24Vdc, ID Type)

2.1. EW62T7641 Specification

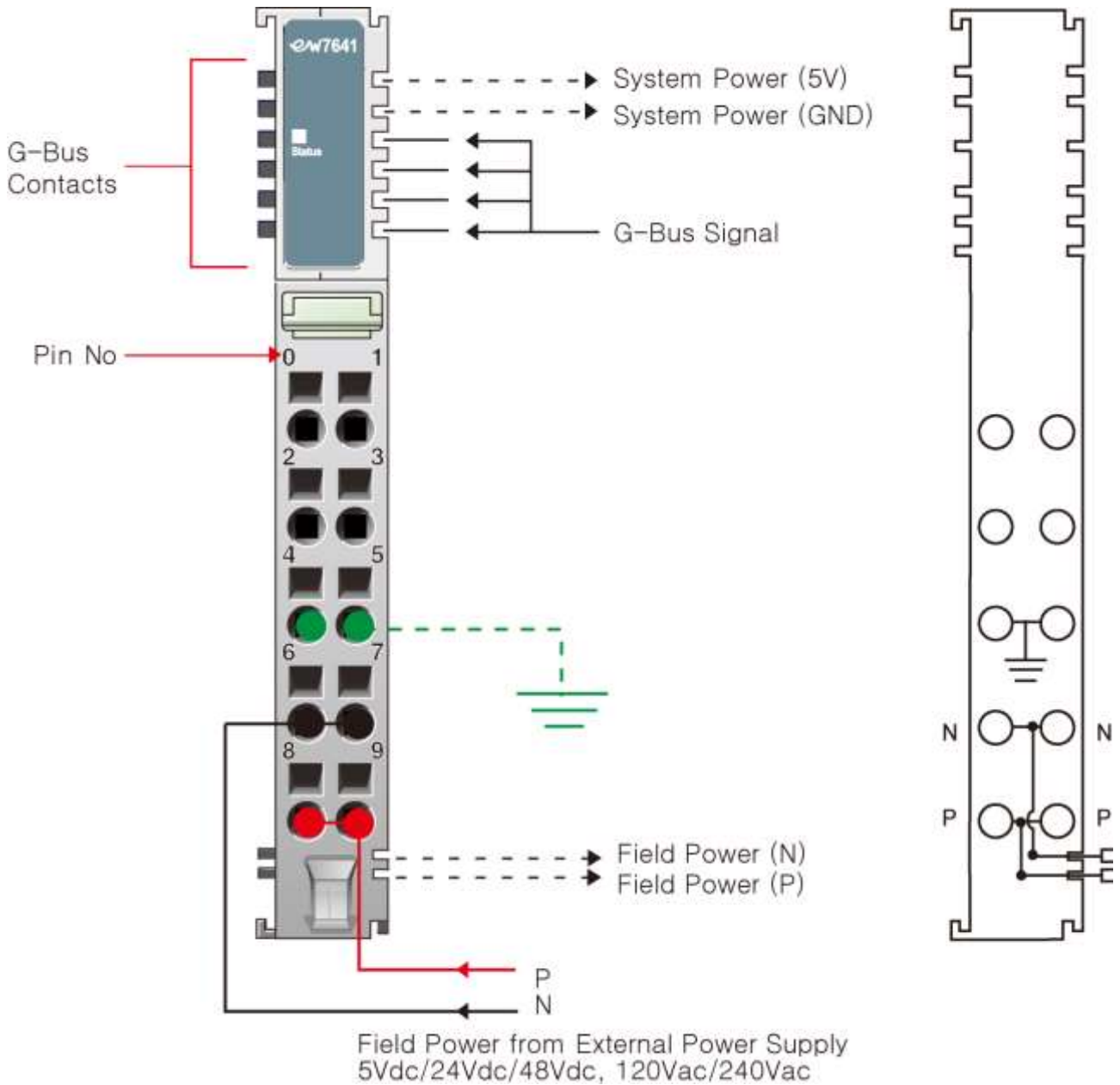
Items	Specification
Technical Data	
Field Power Voltage	Norminal 24Vdc
Field Power Contacts Current	Max. 10A Operating Temperature -40°C~50°C : Max. 10A 50°C~70°C : Max. 7A
Indicator	1 Green LEDs 1 Green Internal Bus State
General Specification	
System Power Dissipation	Max. 30mA @ 5Vdc
Wiring	I/O Cable Max. 2.0mm ² (AWG 14)
Weight	70g Max.

Specification

Module Size	12mm x 99mm x 70mm
Environment Condition	Refer to '1. Environment Specification'

Specification

2.2. EW62T7641 Wiring Diagram



Pin No.	Signal Description	Signal Description	Pin No.
0	NC	NC	1
2	NC	NC	3
4	F.G	F.G	5
6	Field Power, Arbitrary (N)	Field Power, Arbitrary (N)	7
8	Field Power, Arbitrary (P)	Field Power, Arbitrary (P)	9

Specification

2.3. EW62T7641 LED Indicator

2.3.1. LED Indicator



LED No.	LED Function / Description	LED Color
Status	Internal Bus Status	Green

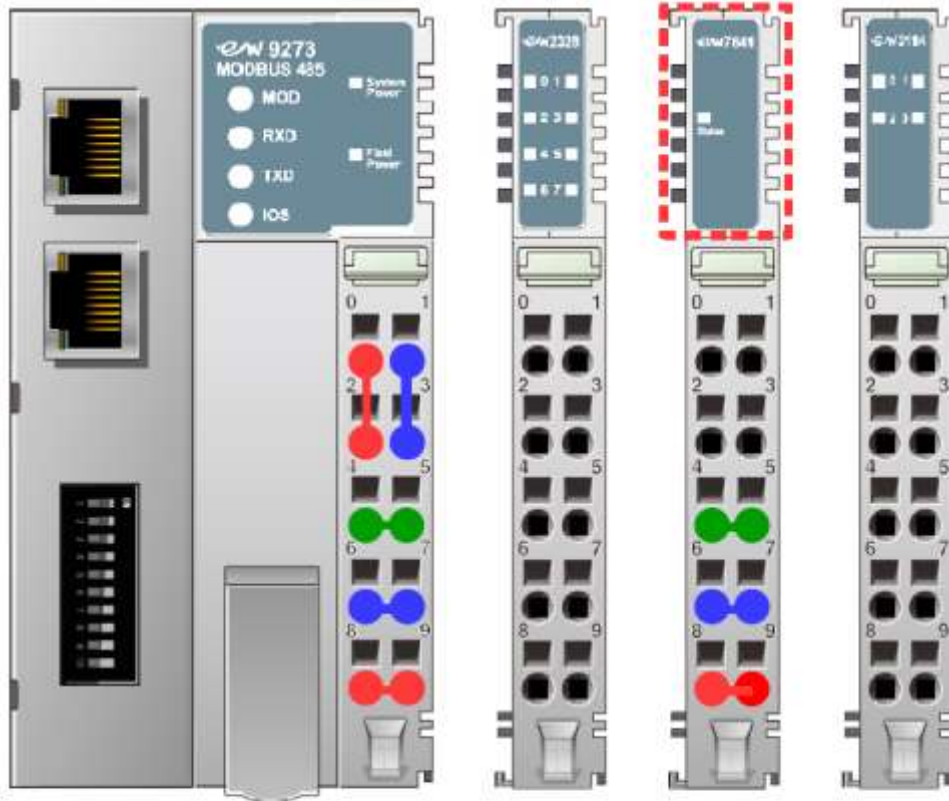
2.3.2. Status LED



Status	LED	To indicate
Normal signal.	Green	The unit is operating in normal condition. (After normal initialization of GBUS communication, this LED maintains ON status.)
Absence of network adapter	Off	Network adapter is not connected to this module.

2.4. Example

The EW62T7641 provides Field Power

Specification



Color	System Power	Field Power
 Hole Number	0, 2	8, 9
 Hole Number	1, 3	6, 7
 Hole Number	4, 5 (F.G)	