

## Specification

# EW620 I/O – Series

## EW62T7588

**EW62T7588 (Common for 24Vdc, 0Vdc ID Type)**

# Specification

## Table of Contents

<a href="#">Table of Contents .....</a>	<a href="#">2</a>
<a href="#">History .....</a>	<a href="#">3</a>
<a href="#">1.Environment Specification .....</a>	<a href="#">4</a>
<a href="#">2.EW62T7588(Common for 24Vdc,0Vdc / ID Type) .....</a>	<a href="#">5</a>
<a href="#">2.1.EW62T7588 Specification .....</a>	<a href="#">5</a>
<a href="#">2.2.EW62T7588 Wiring Diagram .....</a>	<a href="#">6</a>
<a href="#">2.3.EW62T7588 LED Indicator .....</a>	<a href="#">7</a>
<a href="#">2.3.1.LED Indicator .....</a>	<a href="#">7</a>
<a href="#">2.3.2.Status LED.....</a>	<a href="#">7</a>
<a href="#">2.4.Example .....</a>	<a href="#">7</a>

# Specification

## History

REV.	PAGES	REMARKS	DATE	Editor
Rev 1.00			Oct, 22, 2016	HS KIM

# Specification

## 1. Environment Specification

Environmental Specification	
Operation Temperature	-40°C ~ 70°C
UL Temperature	-20°C ~ 60°C
Non-Operating Temperature	-40°C ~ 85°C
Relative Humidity	5% ~ 90% Non-condensing
Mounting	DIN rail
General Specification	
Shock Operating	IEC 60068-2-27
Vibration Resistance	Based on IEC 60068-2-6 Sine Vibration - 5 ~ 25Hz : ±1.6mm - 25 ~ 300Hz : 4g - Sweep Rate : 1 Oct/min, 20 cycles Random Vibration - 10 ~ 40 Hz : 0.0125 g <sup>2</sup> /Hz - 40 ~ 100 Hz : 0.0125 → 0.002 g <sup>2</sup> /Hz - 100 ~ 500 Hz : 0.002 g <sup>2</sup> /Hz - 500 ~ 2000 Hz : 0.002 → 1.3 x 10 <sup>-4</sup> g <sup>2</sup> /Hz - Test time : 1hrs for each test
Industrial Emissions	EN61000-6-4/All : 2011
Industrial Immunity	EN 61000-6-2 : 2005
Installation Position	Vertical and horizontal installation is available
Product Certifications	CE, UL

# Specification

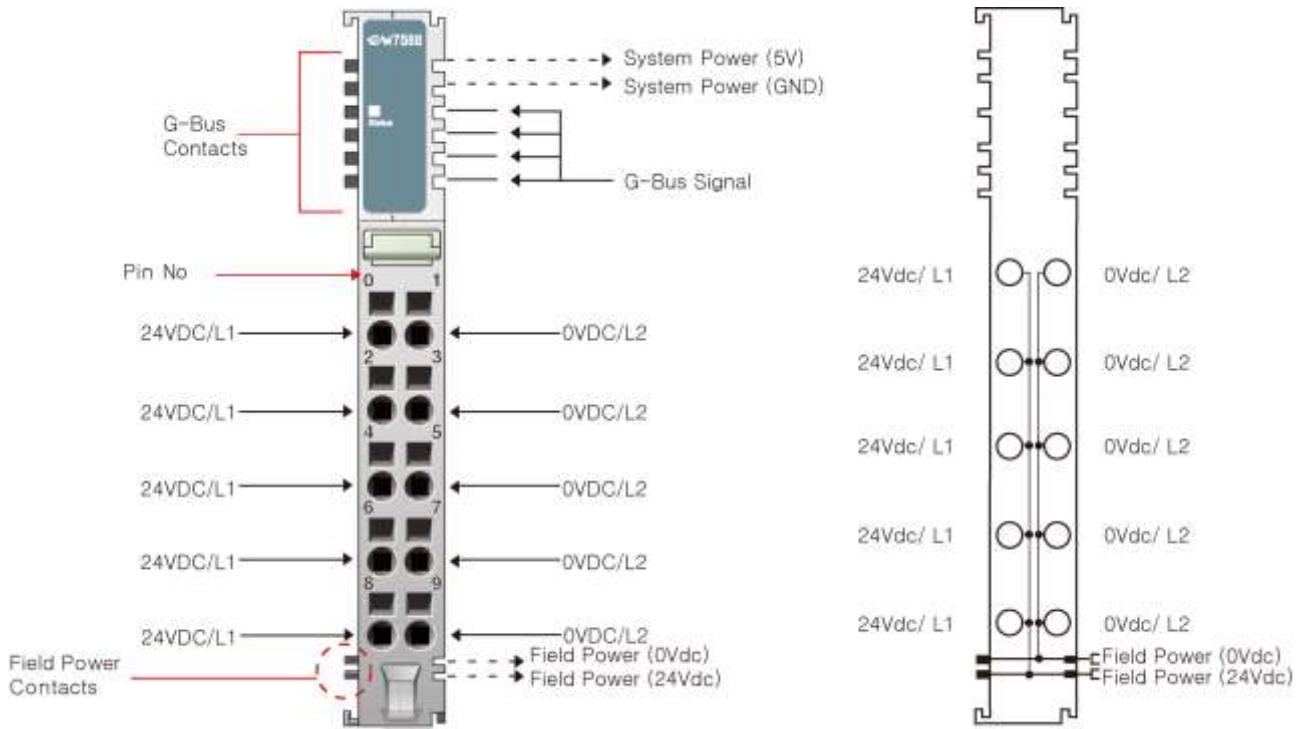
## 2. EW62T7588(Common for 24Vdc,0Vdc / ID Type)

### 2.1. EW62T7588 Specification

Items	Specification
<b>Technical Data</b>	
Field Power Voltage	Norminal 24Vdc
Field Power Contacts Current	Max. 10A Operating Temperature -40°C~50°C : Max. 10A 50°C~70°C : Max. 7A
Indicator	1 Green LEDs 1 Green Internal Bus State
<b>General Specification</b>	
System Power Dissipation	Max. 30mA @ 5Vdc
Wiring	I/O Cable Max. 2.0mm <sup>2</sup> (AWG 14)
Weight	70g Max.
Module Size	12mm x 99mm x 70mm
<b>Environment Condition</b>	<b>Refer to '1. Environment Specification'</b>

# Specification

## 2.2. EW62T7588 Wiring Diagram



Pin No.	Signal Description	Signal Description	Pin No.
0	24VDC/L1	0VDC/L2	1
2	24VDC/L1	0VDC/L2	3
4	24VDC/L1	0VDC/L2	5
6	24VDC/L1	0VDC/L2	7
8	24VDC/L1	0VDC/L2	9

# Specification

## 2.3. EW62T7588 LED Indicator

### 2.3.1. LED Indicator



LED No.	LED Function / Description	LED Color
Status	Internal Bus Status	Green

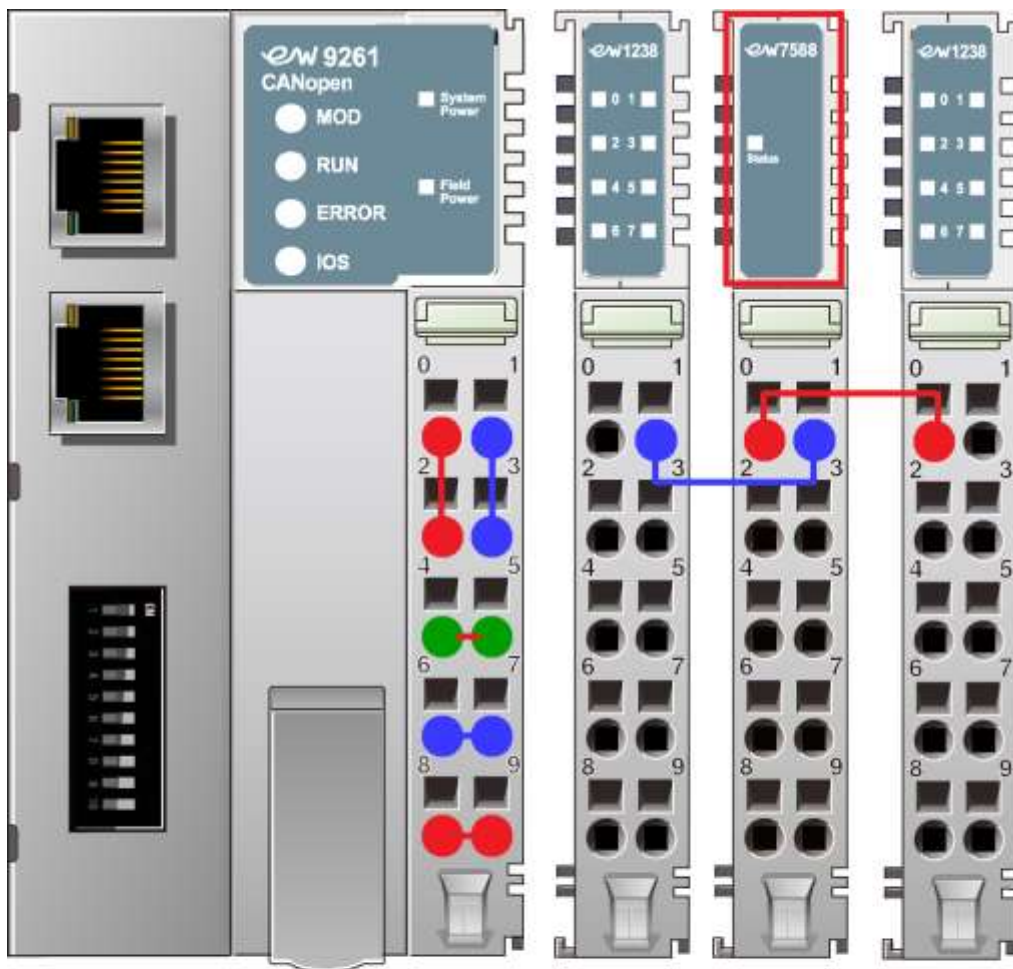
### 2.3.2. Status LED


Status	LED	To indicate
Normal signal.	Green	The unit is operating in normal condition. ( After normal initialization of GBUS communication, this LED maintains ON status.)
Absence of network adapter	Off	Network adapter is not connected to this module.

## 2.4. Example

The EW62T7588 Common 24Vdc, 0Vdc.

# Specification



Color	System Power	Field Power
 Hole Number	0, 2	8, 9
 Hole Number	1, 3	6, 7
 Hole Number	4, 5 (F.G)	