

Specification

EW620 I/O Series :

EW62T2328

EW62T2328 (8 Channels, Source Output Terminal, 24Vdc/0.5A)

Date: 2017.03.31

Specification

Table of Contents

Table of Contents	2
History	3
1.ENVIRONMENT SPECIFICATION	4
2.EW62T2328 (8 Channels Source Output Terminal)	5
2.1.EW62T2328 Specification	5
2.2.EW62T2328 Wiring Diagram	6
2.3.EW62T2328 LED Indicator	7
2.3.1.LED Indicator	7
2.3.2.Channel Status LED	7
2.3.3.Mapping data into the image table	7
2.4.Parameter Data	7



Specification

History

REV.	PAGES	REMARKS	DATE	Editor
Preliminary		Preliminary	April 01, 2016	Park, Joonho
1.03		Environment Specification	Jun 03, 2016	DHLEE
1.04		Field Power dissipation	Mar 31, 2017	A Porro



Specification

1. ENVIRONMENT SPECIFICATION

Environmental specification	
Operating Temperature	-40°C~70°C
UL Temperature	-20°C~60°C
Storage Temperature	-40°C~85°C
Relative Humidity	5% ~ 90% non-condensing
Mounting	DIN rail
General specification	
Shock Operating	IEC 60068-2-27
Vibration Resistance	Based on IEC 60068-2-6 Sine Vibration <ul style="list-style-type: none"> - 5 ~ 25Hz : ±1.6mm - 25 ~ 300Hz : 4g - Sweep Rate : 1 Oct/min, 20 Sweeps Random Vibration <ul style="list-style-type: none"> - 10 ~ 40 Hz : 0.0125 g²/Hz - 40 ~ 100 Hz : 0.0125 → 0.002 g²/Hz - 100 ~ 500 Hz : 0.002 g²/Hz - 500 ~ 2000 Hz : 0.002 → 1.3 x 10⁻⁴ g²/Hz - Test time : 1hrs for each test
Industrial Emissions	EN 61000-6-4/A11 : 2011
Industrial Immunity	EN 61000-6-2 : 2005
Installation Position	Vertical and horizontal installation is available.
Product Certifications	CE, UL

Specification

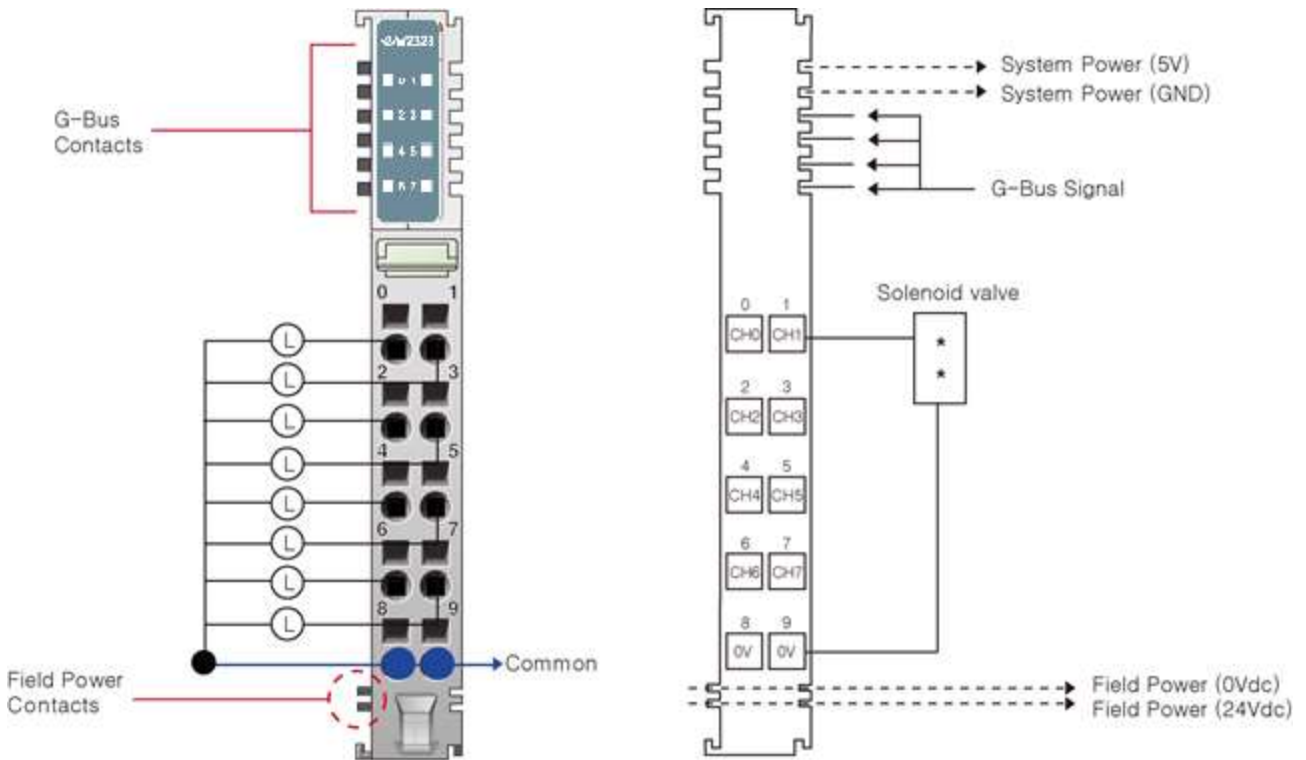
2. EW62T2328 (8 Channels Source Output Terminal)

2.1. EW62T2328 Specification

Items	Specification
Output Specification	
Output per module	8 Points Source type
Indicators (Logic side)	8 Green output state
Output Voltage Range	Nominal 24Vdc, Min. 15Vdc to Max. 32Vdc
ON-state voltage drop	Max. 0.5Vdc @ 25°C, 70°C, -40°C
Field Power OFF-state voltage	4.6Vdc @ 25°C
ON-State Min. Current	1mA per channel
OFF-State Leakage current	Max. 25uA
Output Signal Delay	OFF to ON : 0.3ms maximum ON to OFF : 0.3ms maximum
Output Current Rating	Max. 0.5A per channel / Max. 4A per unit
Protection	Over Current limit : Min 6.5A@ 25°C per each channels Thermal Shutdown : Min 4A@ 25°C per each channels Short circuit protection
COMMON Type	8 points / Internal 2Com
General specification	
Power dissipation	40mA maximum @ 5.0Vdc
Isolation	I/O to Logic : Isolation Field Power : Non-isolation
Field Power	Supply voltage : 24Vdc nominal Voltage range : 15 to 32Vdc Power dissipation: 10mA @ 24Vdc
Wiring	I/O Cable Max. 2.0mm ² (AWG 14)
Weight	40g
Module Size	12mm x 99mm x 70mm
Environment Condition	Refer to '1. Environment Specification'

Specification

2.2. EW62T2328 Wiring Diagram

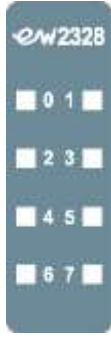


Pin No.	Signal Description	Signal Description	Pin No.
0	Output Channel 0	Output Channel 1	1
2	Output Channel 2	Output Channel 3	3
4	Output Channel 4	Output Channel 5	5
6	Output Channel 6	Output Channel 7	7
8	Common (Field Power 0V)	Common (Field Power 0V)	9

Specification

2.3. EW62T2328 LED Indicator

2.3.1. LED Indicator



LED No.	LED Function / Description	LED Color
0	OUTPUT Channel 0	Green
1	OUTPUT Channel 1	Green
2	OUTPUT Channel 2	Green
3	OUTPUT Channel 3	Green
4	OUTPUT Channel 4	Green
5	OUTPUT Channel 5	Green
6	OUTPUT Channel 6	Green
7	OUTPUT Channel 7	Green

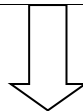
2.3.2. Channel Status LED

Status	LED	To indicate
Not Signal	Off	Normal Operation
On Signal	Green	Normal Operation

2.3.3. Mapping data into the image table

- Output Image Value

Bit No	Bit7	Bit6	Bit5	Bit4	Bit3	Bit2	Bit1	Bit0
Byte0	D7	D6	D5	D4	D3	D2	D1	D0



- Output Module Data

D7	D6	D5	D4	D3	D2	D1	D0
----	----	----	----	----	----	----	----

2.4. Parameter Data

- Valid Parameter length: 2 Bytes

Specification

- Parameter Data

Bit No	Bit7	Bit6	Bit5	Bit4	Bit3	Bit2	Bit1	Bit0
Byte0	Fault Action (ch0~ch7) 0: Fault value, 1:Hold last state							
Byte1	Fault value (ch0~ch7) 0:Off, 1:On							