

# Specification Preliminary

## **EW620 I/O Series :**

### ***EW62T226F***

***EW62T226F(16 Channels, Source Output Terminal, 24Vdc/0.3A)***

# Specification Preliminary

## Table of Contents

---

<a href="#">Table of Contents .....</a>	<a href="#">2</a>
<a href="#">History .....</a>	<a href="#">3</a>
<a href="#">1.ENVIRONMENT SPECIFICATION .....</a>	<a href="#">4</a>
<a href="#">2.EW62T226F (16 Channels Source Output Terminal).....</a>	<a href="#">4</a>
<a href="#">2.1.EW62T226F Specification.....</a>	<a href="#">4</a>
<a href="#">2.2.EW62T226F Wiring Diagram.....</a>	<a href="#">6</a>
<a href="#">2.3.EW62T226F LED Indicator .....</a>	<a href="#">6</a>
<a href="#">2.3.1.LED Indicator .....</a>	<a href="#">7</a>
<a href="#">2.3.2.Channel Status LED .....</a>	<a href="#">7</a>
<a href="#">2.4.Mapping data into the image table .....</a>	<a href="#">7</a>
<a href="#">2.5.Parameter Data .....</a>	<a href="#">8</a>



# Specification Preliminary

## History

REV.	PAGES	REMARKS	DATE	Editor
1.00	9		16.10.2019	KHS



# Specification Preliminary

## 1. ENVIRONMENT SPECIFICATION

Environmental specification	
Operation Temperature	-40°C to 70°C
Non-Operating Temperature	-40°C to 85°C
Relative Humidity	5% to 95% Non-condensing
Operating Altitude	2,000m
Mounting	
General specification	General specification
Shock Operating	IEC 60068-2-27
Vibration Resistance	Based on IEC 60068-2-6 Sine Vibration <ul style="list-style-type: none"> <li>- 5 ~ 25Hz : ±1.6mm</li> <li>- 25 ~ 300Hz : 4g</li> <li>- Sweep Rate : 1 Oct/min, 20 cycles</li> </ul> Random Vibration <ul style="list-style-type: none"> <li>- 10 ~ 40 Hz : 0.0125 g<sup>2</sup>/Hz</li> <li>- 40 ~ 100 Hz : 0.0125 → 0.002 g<sup>2</sup>/Hz - 100 ~ 500 Hz : 0.002 g<sup>2</sup>/Hz</li> <li>- 500 ~ 2000 Hz : 0.002 → 1.3 x 10<sup>-4</sup> g<sup>2</sup>/Hz</li> <li>- Test time : 1 hrs for each test</li> </ul>
Industrial Emissions	EN 61000-6-4 : 2007+A1:2011
Industrial Immunity	EN 61000-6-2 : 2005
Installation Position	Vertical and horizontal installation is available.
Product Certifications	CE, UL

## 2. EW62T226F (16 Channels Source Output Terminal)

### 2.1. EW62T226F Specification

Items	Specification
Input Specification	
Output per module	16 Points Source type
Indicators	16 Green output state

# Specification Preliminary

Output Voltage Range	Nominal 24Vdc, Min. 15Vdc ~ Max. 32Vdc
ON-state voltage drop	Max. 0.3Vdc @ 25°C / 0.5Vdc@ 70°C
ON-State Min. Current	1mA per channel
OFF-State Leakage current	Max. 5uA
Output Signal Delay	OFF to ON : 0.3mS maximum ON to OFF : 0.3mS maximum
Output Current Rating	Max. 0.3A per channel / Max. 4.8A per unit
Protection (ITS716G)	Over Current limit : Min 6.5A@ 25°C per each channels(ITS716G)  Thermal Shutdown : Min 4A@ 25°C per each channels  (ITS716G, Min 150°C)  Short circuit protection
COMMON Type	16 points / 2COM (Single Common)

## General specification

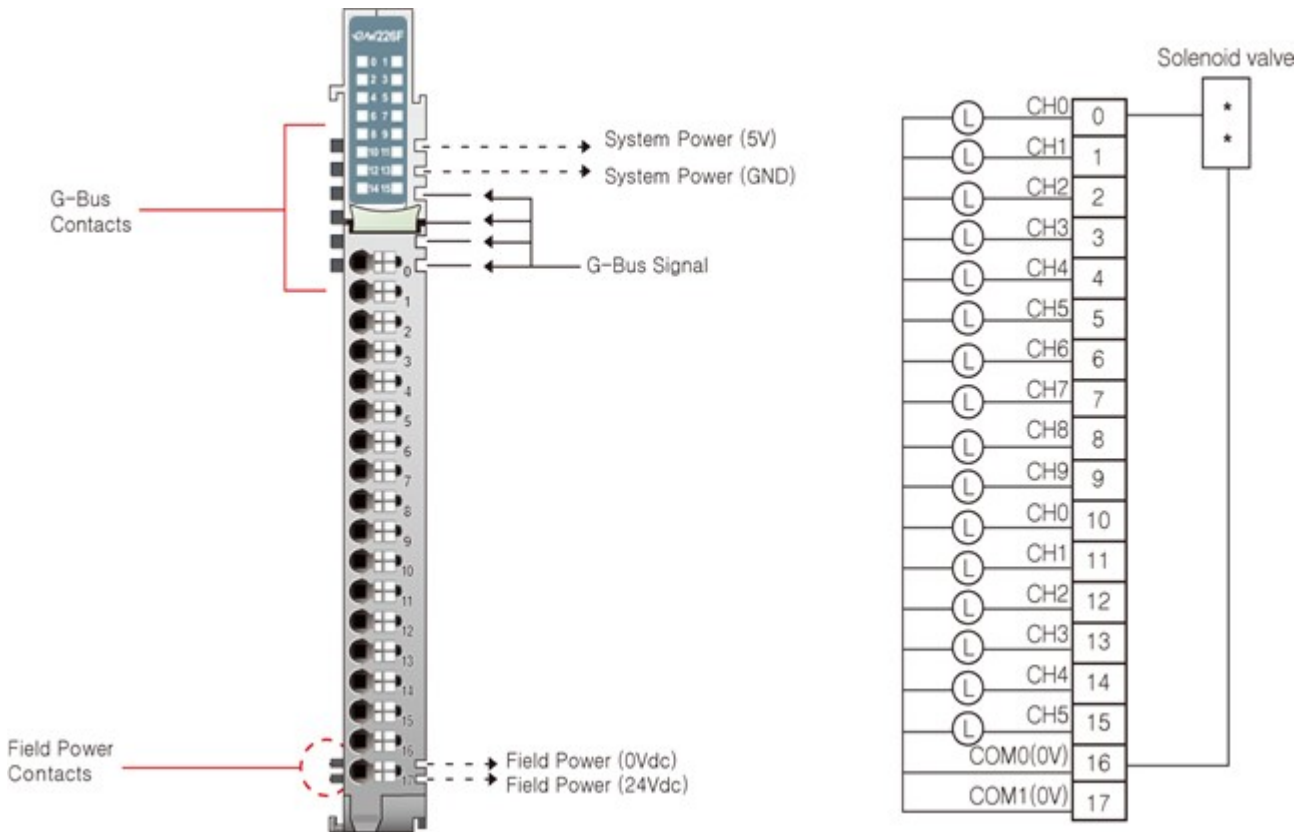
Power dissipation	50mA maximum @ 5.0Vdc
Isolation	I/O to Logic : Photocoupler isolation
Field Power	Supply voltage : 24Vdc nominal Voltage range : 15~32Vdc Power dissipation: 40mA maximum @ 32.0Vdc
Wiring	I/O Cable Max. 0.32mm <sup>2</sup> (AWG 22)
Weight	52g
Module Size	12mm x 99mm x 70mm
<b>Environment Condition</b>	<b>Refer to '1. Environment Specification'</b>

Pin No.	Signal Description	Signal Description	Pin No.
0	Output Channel 0	Output Channel 1	1
2	Output Channel 2	Output Channel 3	3
4	Output Channel 4	Output Channel 5	5
6	Output Channel 6	Output Channel 7	7
8	Output Channel 8	Output Channel 9	9
10	Output Channel 10	Output Channel 11	11
12	Output Channel 12	Output Channel 13	13
14	Output Channel 14	Output Channel 15	15

# Specification Preliminary

16	Common (Field Power 0V)	Common (Field Power 0V)	17
----	-------------------------	-------------------------	----

## 2.2. EW62T226F Wiring Diagram

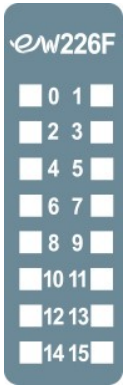


## 2.3. EW62T226F LED Indicator

Status	LED	To indicate
Not Signal	Off	Normal Operation
On Signal	Green	Normal Operation

# Specification Preliminary

## 2.3.1. LED Indicator



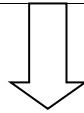
LED No.	LED Function / Description	LED Color
0	OUTPUT Channel 0	Green
1	OUTPUT Channel 1	Green
2	OUTPUT Channel 2	Green
3	OUTPUT Channel 3	Green
4	OUTPUT Channel 4	Green
5	OUTPUT Channel 5	Green
6	OUTPUT Channel 6	Green
7	OUTPUT Channel 7	Green
8	OUTPUT Channel 8	Green
9	OUTPUT Channel 9	Green
10	OUTPUT Channel 10	Green
11	OUTPUT Channel 11	Green
12	OUTPUT Channel 12	Green
13	OUTPUT Channel 13	Green
14	OUTPUT Channel 14	Green
15	OUTPUT Channel 15	Green

## 2.3.2. Channel Status LED

## 2.4. Mapping data into the image table

- Output Image Value

Bit No	Bit7	Bit6	Bit5	Bit4	Bit3	Bit2	Bit1	Bit0
Byte0	D7	D6	D5	D4	D3	D2	D1	D0
Byte1	D15	D14	D13	D12	D11	D10	D9	D8



- Output Module Data

# Specification Preliminary

D7	D6	D5	D4	D3	D2	D1	D0
D15	D14	D13	D12	D11	D10	D9	D8

## 2.5. Parameter Data

- Valid Parameter length: 4 Bytes
- Parameter Data

Bit No	Bit7	Bit6	Bit5	Bit4	Bit3	Bit2	Bit1	Bit0
Byte0	Fault Action (ch0~ch7) 0: Fault value, 1:Hold last stat							
Byte1	Fault Action (ch8~ch15) 0: Fault value, 1:Hold last stat							
Byte2	Fault value (ch0~ch7) 0:Off, 1:On							
Byte3	Fault value (ch8~ch15) 0:Off, 1:On							